



Owner's Manual

***Models 1503 and 1504
Basic Stand Alone Digital Keypad Entry Devices***

DoorKing, Inc.
120 Glasgow Avenue
Inglewood, California 90301
U.S.A.

Phone: 310-645-0023
Fax: 310-641-1586
www.doorking.com

Use this manual with the following models

1503-080, 1503-081, 1503-082 and 1504-081 Digital Keypad Entry Devices with circuit board 1500-010, Rev A and Higher.

DoorKing, Inc. reserves the right to make changes in the products described in this manual without notice and without obligation of DoorKing, Inc. to notify any persons of any such revisions or changes. Additionally, DoorKing, Inc. makes no representations or warranties with respect to this manual. This manual is copyrighted, all rights reserved. No portion of this manual may be copied, reproduced, translated, or reduced to any electronic medium without prior written consent from DoorKing, Inc.

Table of Contents

IMPORTANT NOTICES.....	6
SECTION 1 – INSTALLATION	
1.1 Mounting Dimensions.....	7
1.2 Wiring.....	10
1.3 Wire Diagram.....	11
1.4 Terminal Identification.....	12
1.5 Aiphone Intercom Station Connections.....	13
SECTION 2 – PROGRAMMING	
2.1 Master Code.....	15
2.2 Relay Strike Time.....	15
2.3 Programming Four-digit Entry Codes.....	15
2.4 Erasing Four-digit Entry Codes.....	15
2.5 Programming Five-digit Entry Codes.....	16
2.6 Erasing Five-digit Entry Codes.....	16
2.7 Programming Four-digit Hold Codes.....	16
2.8 Erasing Four-digit Hold Codes.....	16
SECTION 3 – OPERATING INSTRUCTIONS	
3.1 Four-digit Entry Codes.....	17
3.2 Four-digit Hold Code.....	17
3.3 Five-digit Entry Codes.....	17
3.4 Request to Exit.....	17

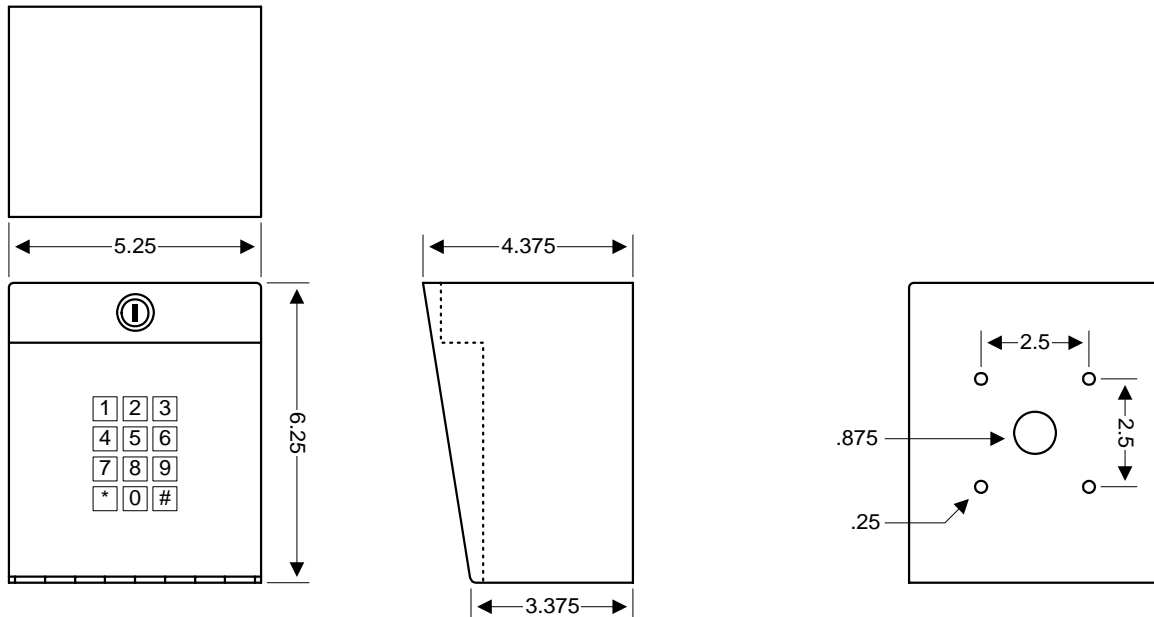
IMPORTANT NOTICES

- Prior to starting the installation, become familiar with the instructions, illustrations and wiring diagrams in this manual.
- Never mount this device to a moving gate or gate panel, or next to a gate that causes vibration to the fence, such as a spring-loaded pedestrian gate. Continuous vibration from moving or slamming gates can cause damage to the unit in time.
- **WARNING! When used to control a vehicular gate with an automatic gate operator, this entry system must be mounted a minimum of ten (10) feet away from the gate and gate operator, or in such a way that a person cannot operate the entry system and/or touch the gate or gate operator at the same time.**
- Always disconnect power when performing service on the system.
- If the unit is mounted outdoors, be sure that the wiring to the unit is designed for direct underground burial, even if the wire is run inside a conduit.
- Surge suppression is recommended on the low voltage input power line.
- Instruct the end user on the safe and proper operation of this device.
- **Instruct the end user to read and follow these instructions. Instruct the end user to never let children play with or operate any access control device. This Owner's Manual is the property of the end user and must be left with them when installation is complete.**

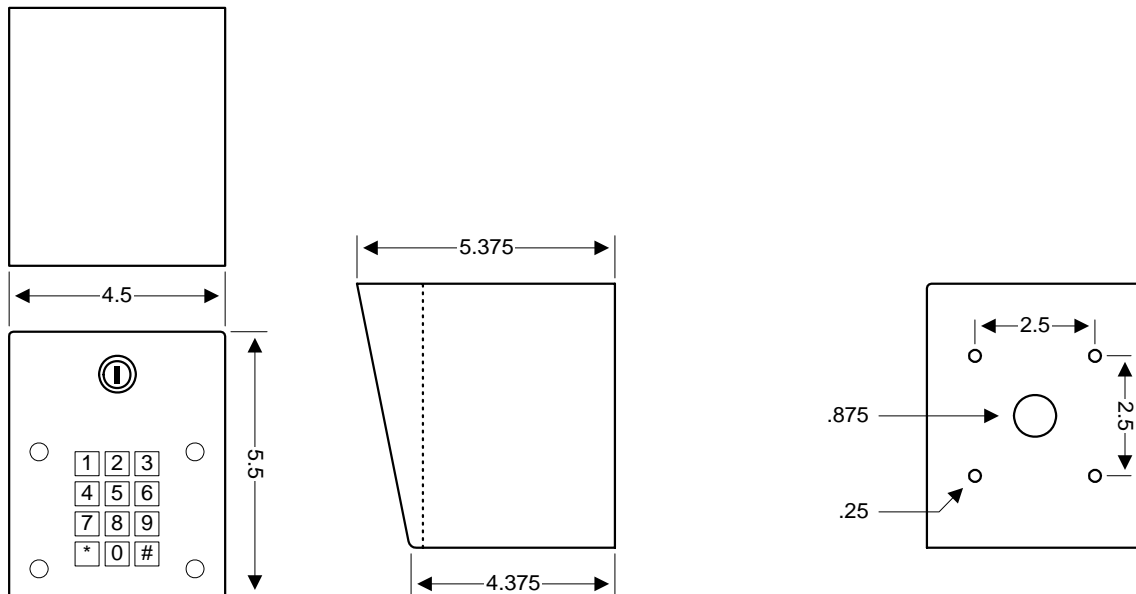
SECTION 1 - INSTALLATION

1.1 Mounting

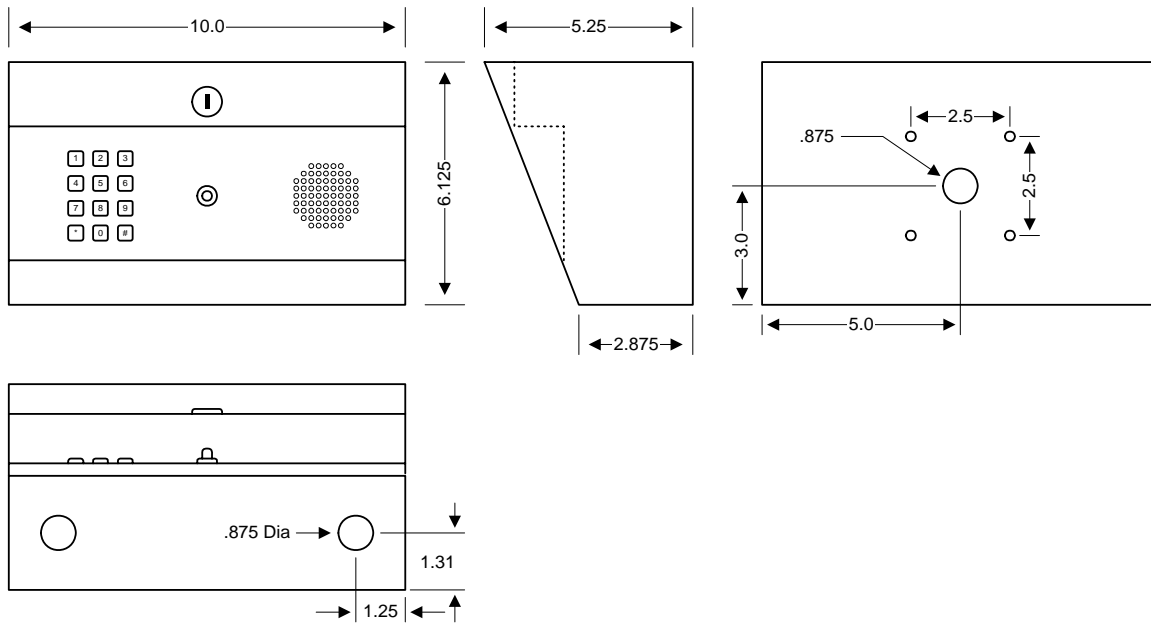
Surface mount units can be mounted directly to a wall or pilaster, or they can be mounted using a gooseneck mounting post (p/n 1200-045 or 1200-046).



Model 1503-081 Surface Mount - Lighted

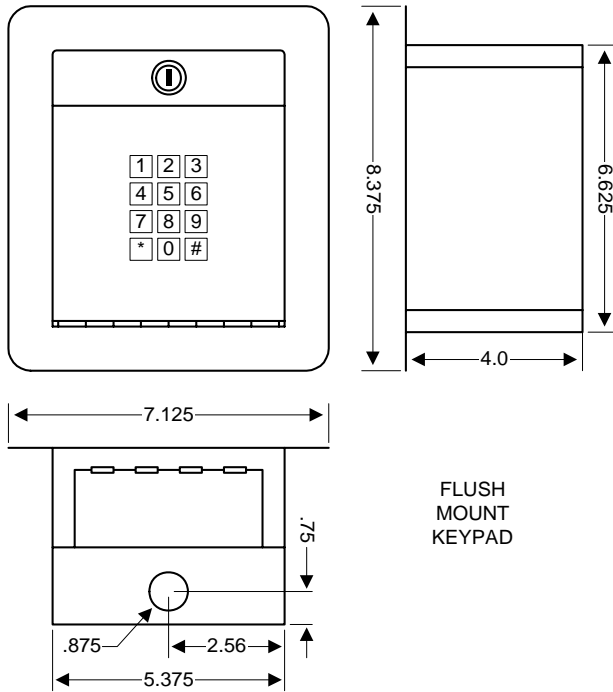


Model 1503-080 Surface Mount - Non Lighted

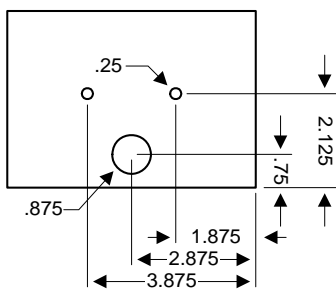
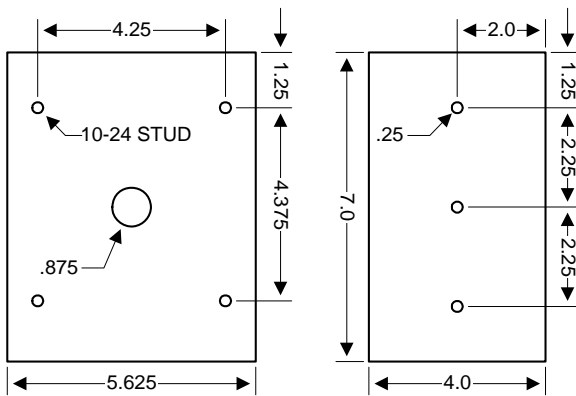
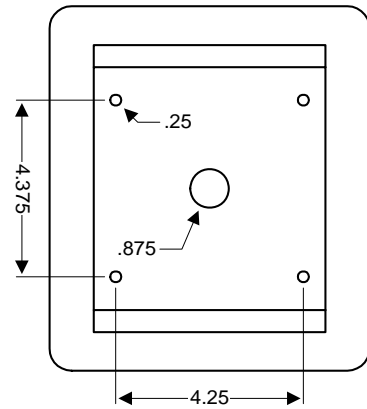


Model 1504 Surface Mount - Lighted

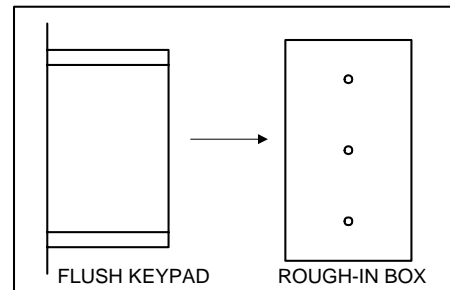
Flush mount keypad consist of two parts, the keypad and the rough-in box. Mount the rough-in box and wiring first, and then install the keypad into the rough-in box.



FLUSH MOUNT KEYPAD



ROUGH IN BOX



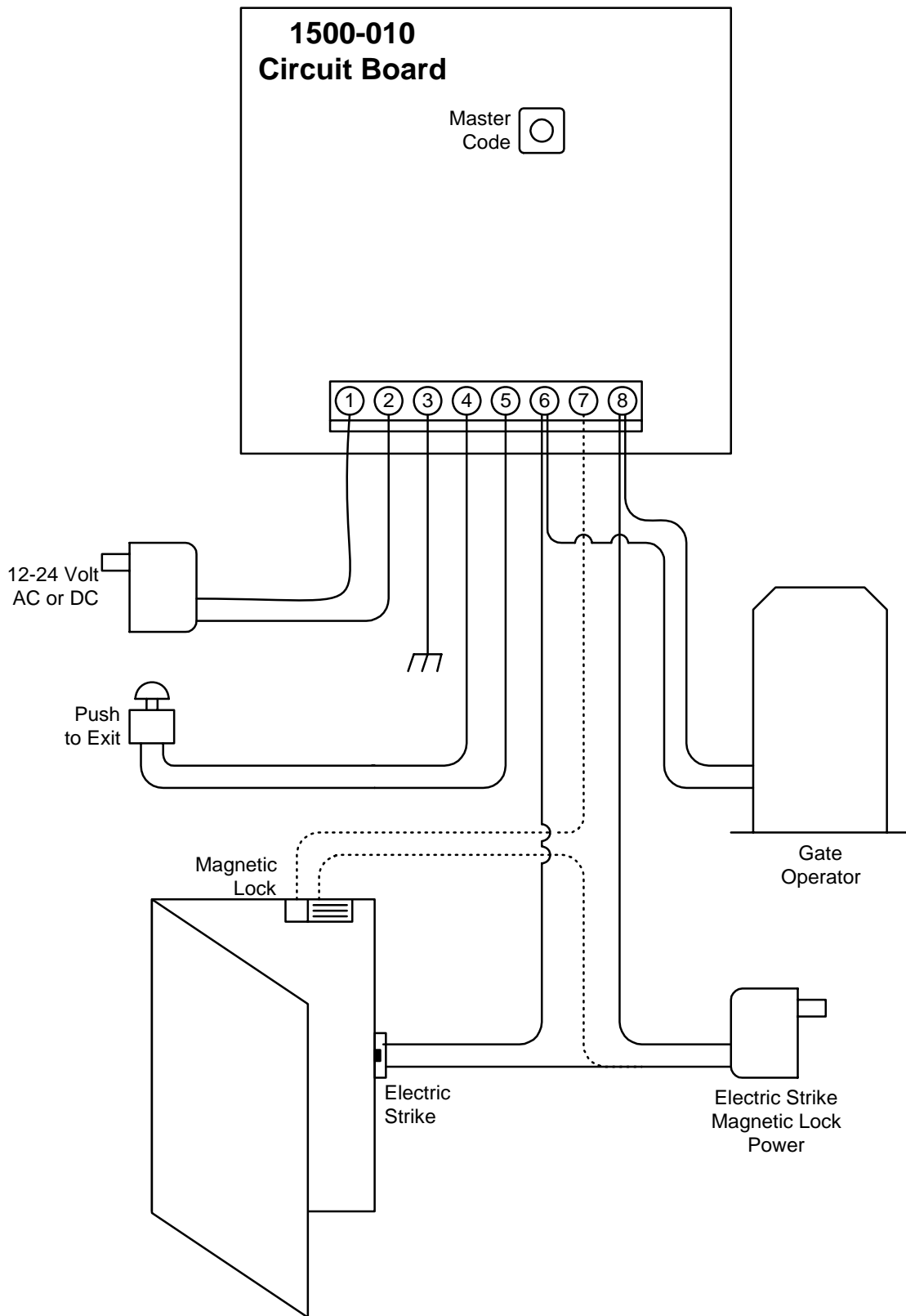
1.2 Wiring

The wiring of this device is an extremely important and integral part of the access control system. It is very important that proper wire is used for power and control lines, and that the system is properly grounded.

- The digital keypad can operate on 12-24 volt AC or DC power. **If using DC power, POLARITY MUST BE OBSERVED!** Connect the NEGATIVE DC input power to terminal 1. Connect the POSITIVE DC input power to terminal 2.
- The light (1503-081, 1503-082, 1504-081) is set to operate at 24 VAC power. Operating the lighted versions of the keypad at less than 24 VAC will cause the light to be dim or to not light at all. If the keypad is to be powered from a solar system (12 VDC), use the non-lighted version (1503-080) or remove the light bulb.
- Do not run power wiring greater than 500 feet.
- Do not power electric strikes or magnetic locks from the power supply. Strikes, locks and other devices must be powered from their own power source.
- It is preferable to keep power wiring as short as possible. A low voltage surge suppresser (P/N 1878-010) is recommended.
- Be sure to properly ground the digital keypad. Attach a separate 12 AWG wire to terminal 3 (earth ground). Attach the other end of this wire to a good earth ground. This can be a properly grounded metal conduit, a cold water pipe, or a grounding rod driven at least 10 feet into the soil. A gooseneck post anchored or mounted on concrete does not make a good ground.
- Avoid any splices in wiring. If a splice is made, it must be soldered and sealed in a watertight junction box.
- Relay contacts are rated for 30 Volt, 1 Amp.
- A switch closure across terminals 4 and 5 will activate the relay for the programmed strike time.
- Use U.L. listed wire with an insulation rating of 600 volts.

POWER WIRING	
Wire Size	Maximum Distance
22 AWG	100 Ft.
20 AWG	200 Ft.
18 AWG	250 Ft.
16 AWG	500 Ft.

1.3 Wiring Diagram



1.4 Circuit Board Terminal Identification

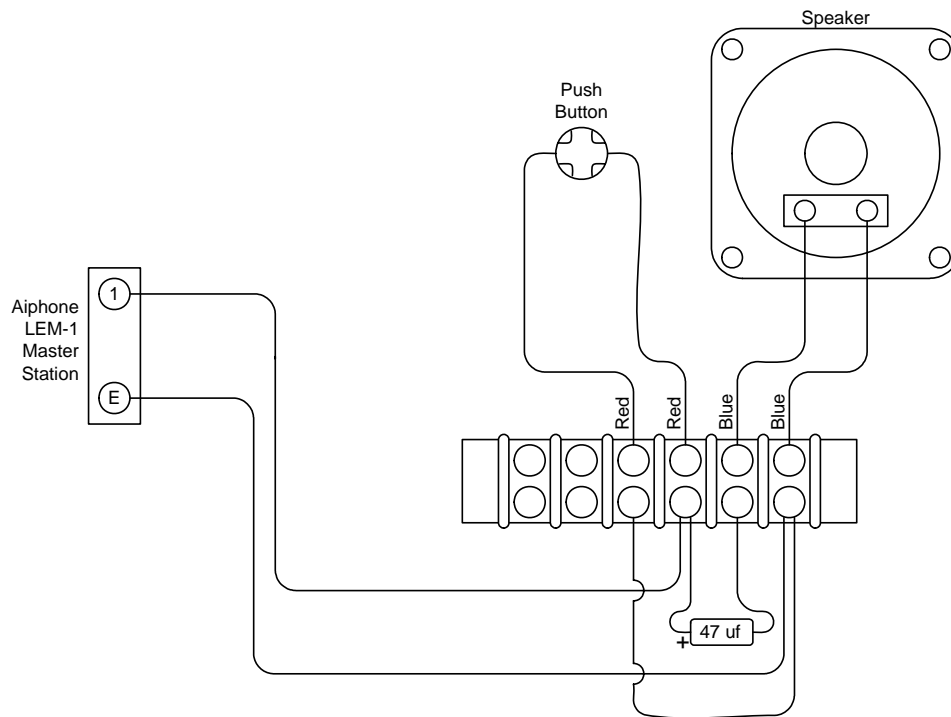
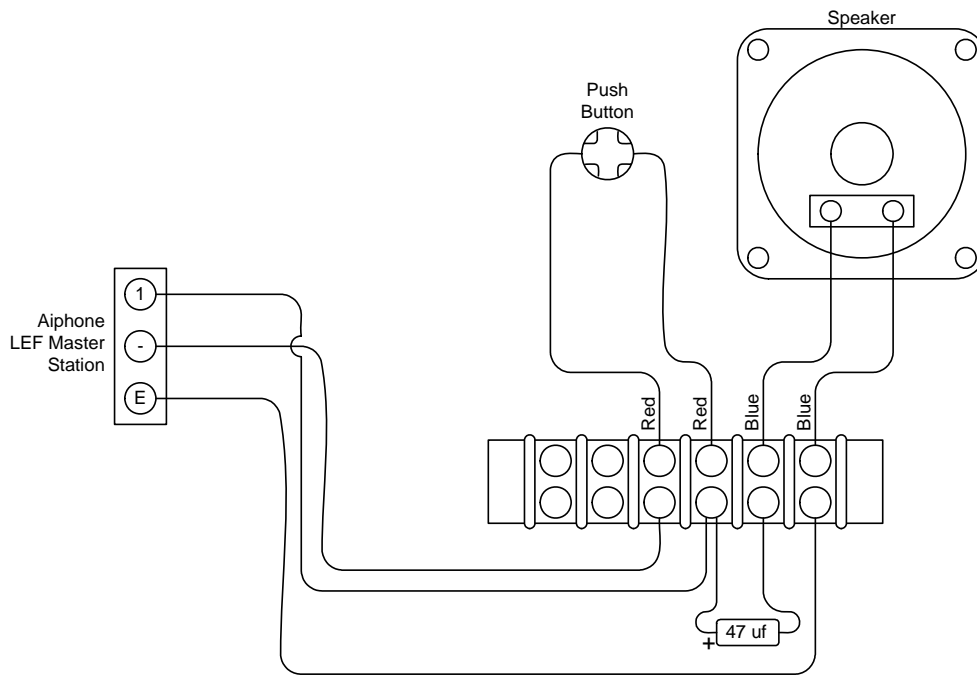
1. Input Power: 12-24 Volt AC or 12-24 Volt DC NEGATIVE
2. Input Power: 12-24 Volt AC or 12-24 Volt DC POSITIVE
3. Earth Ground
4. Request to Exit
5. Request to Exit
6. Relay Contact Normally Open (N.O.)
7. Relay Contact Normally Closed (N.C.)
8. Relay Contact Common

NOTES:

- A switch closure across terminals 4 and 5 will activate the relay for its programmed strike time.
- Relay contacts are rated for 30 Volt, 1 amp maximum power.
- The keypad unit will draw approximately 15 ma of current under stand-by condition, and approximately 100 ma of current when the relay is activated.
- Electric strikes and magnetic locks must be powered from their own power supply as shown on the wiring diagram (page 11). Do not power the keypad and the locking device from the same source.

1.5 Aiphone Intercom Station Connections

These wire diagrams are provided for convenience only. For detailed wiring information on Aiphone products, visit their website at www.aiphone.com.



SECTION 2 - PROGRAMMING

Keep a record of the programmed codes by completing the table on page 17.

2.1 *Master Code*

The Master Code is a four-digit number that is used to access all programming functions of the digital keypad. The default factory master code is set to 9999. We suggest that you program a new master code once the system is installed. After programming the master code, write it down and keep it in a safe place. If you forget your master code, you will need to program a new one before you can access any of the programming functions of the digital keypad.

1. Open the cabinet and locate the Master Code button on the circuit board.
2. Press the Master Code push button once.
3. Enter a four-digit code _ _ _ _ on the keypad and then press * (long beep).
4. Close the cabinet.

2.2 *Relay Strike Time*

The relay strike time sets the amount of time that the relay in the digital keypad remains activated after a valid code is entered on the keypad. Setting the strike time to 00 will activate the relay for ½ second. The factory setting is 1 second.

1. Press *3 and enter the four-digit master code (short beep).
2. Enter the relay time in seconds __ (00 – 99) then press * (short beep).
3. Press 0# together to end the programming step (long beep).

2.3 *Programming Four-digit Entry Codes*

1. Press *2 and enter the four-digit master code (short beep).
2. Press 1* (beep) to enter the first four-digit entry code.
3. Enter the four-digit code _ _ _ _ then press * (beep).
(If a second code is not desired, skip steps 4 and 5).
4. Press 2* (beep) to enter the second four-digit entry code.
5. Enter the four-digit code _ _ _ _ then press * (beep).
6. Press 0# together to end the programming step (long beep).

2.4 *Erasing Four-digit Entry Codes*

1. Press *2 and enter the four-digit master code (short beep).
2. Press 1* (beep) to erase the first four-digit entry code.
3. Enter # # # # then press * (beep).
(If a second code is not going to be erased, skip steps 4 and 5).
4. Press 2* (beep) to erase the second four-digit entry code.
5. Enter # # # # then press * (beep).
6. Press 0# together to end the programming step (long beep).

2.5 Programming Five-digit Entry Codes

1. Press *9 and enter the four-digit master code (short beep).
2. Press 1* (beep) to enter the first five-digit entry code.
3. Enter the five-digit code _ _ _ _ _ then press * (beep).
(If a second code is not desired, skip steps 4 and 5).
4. Press 2* (beep) to enter the second five-digit entry code.
5. Enter the five-digit code _ _ _ _ _ then press * (beep).
6. Press 0# together to end the programming step (long beep).

2.6 Erasing Five-digit Entry Codes

1. Press *9 and enter the four-digit master code (short beep).
2. Press 1* (beep) to erase the first five-digit entry code.
3. Enter # # # # then press * (beep).
(If a second code is not going to be erased, skip steps 4 and 5).
4. Press 2* (beep) to erase the second five-digit entry code.
5. Enter # # # # then press * (beep).
6. Press 0# together to end the programming step (long beep).

2.7 Programming Four-digit Hold Codes

1. Press *7 and enter the four-digit master code (short beep).
2. Press 1* (beep) to enter the first four-digit hold code.
3. Enter the four-digit code _ _ _ _ then press * (beep).
(If a second code is not desired, skip steps 4 and 5).
4. Press 2* (beep) to enter the second four-digit hold code.
5. Enter the four-digit code _ _ _ _ then press * (beep).
6. Press 0# together to end the programming step (long beep).

2.8 Erasing Four-digit Hold Codes

1. Press *7 and enter the four-digit master code (short beep).
2. Press 1* (beep) to erase the first four-digit hold code.
3. Enter # # # # then press * (beep).
(If a second code is not going to be erased, skip steps 4 and 5).
4. Press 2* (beep) to erase the second four-digit hold code.
5. Enter # # # # then press * (beep).
6. Press 0# together to end the programming step (long beep).

SECTION 3 – OPERATING INSTRUCTIONS

When operating the 1503 digital keypad entry device, each time a keypad button is pressed, a .2 second tone confirms the key press. This tone is not emitted during programming. When using the four-digit entry codes or four-digit hold codes, the # key must be pressed first. When using the five-digit entry codes, simply enter the five-digit code on the keypad.

3.1 *Four-digit Entry Codes*

To use a four-digit entry code, press the # key, and then enter the four-digit entry code. If a valid code has been entered, the relay will activate for its programmed strike time and a tone will sound during the relay activation period. If the relay is already activated by a HOLD code, entering a valid four-digit entry code will cause the relay to deactivate.

3.2 *Four-digit Hold Code*

To use a four-digit hold code, press the # key, and then enter the four-digit hold code. If a valid code has been entered, the relay will activate and a tone will sound for the relay strike time setting. After the relay strike time runs out, the tone will stop but the relay will remain activated. To release a relay that is being held, enter the four-digit hold code, or a valid four or five-digit entry code, or activate the key switch input. A tone will sound for the programmed strike time, then the relay will release.

3.3 *Five-digit Entry Codes*

To use a five-digit entry code, enter the five-digit code on the keypad. If a valid code has been entered, the relay will activate for its programmed strike time and a tone will sound during the relay activation period. If the relay is already activated by a HOLD code, entering a valid five-digit entry code will cause the relay to deactivate.

3.4 *Request to Exit Input*

A switch closure across terminals 4 and 5 will cause the relay to activate for the programmed strike time and emit a tone during the activation period. If the relay is already activated by a HOLD code, a switch closure across terminals 4 and 5 will cause the relay to deactivate.

	DIGITS ENTERED				
	1	2	3	4	5
Master Code					
4-Digit Code 1					
4-Digit Code 2					
4-Digit Hold Code 1					
4-Digit Hold Code 2					
5-Digit Code 1					
5-Digit Code 2					