

## BLACK/WHITE, COLOR & LOW LUX COLOR CAMERA MODULES FOR THE EL25 & EL2000 TELEPHONE ENTRY ACCESS CONTROL SYSTEMS

### INSTALLATION FOR EL2000

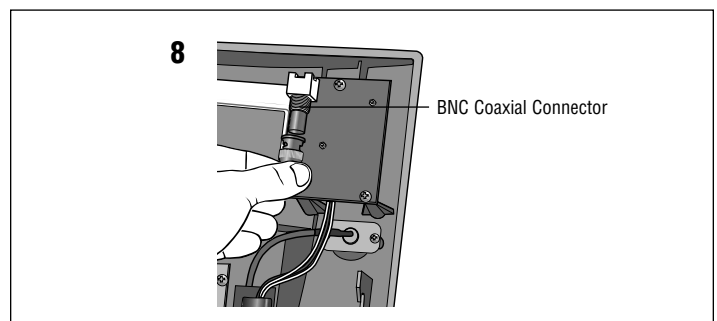
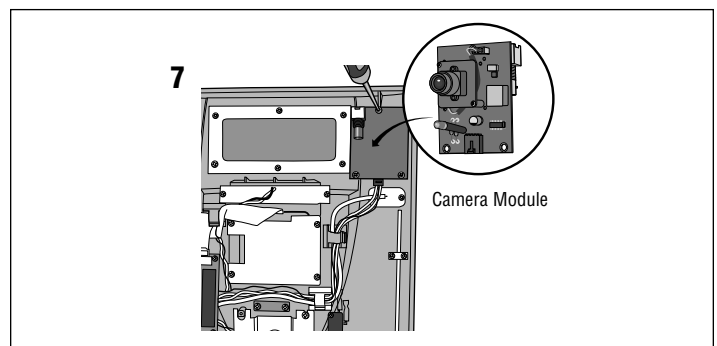
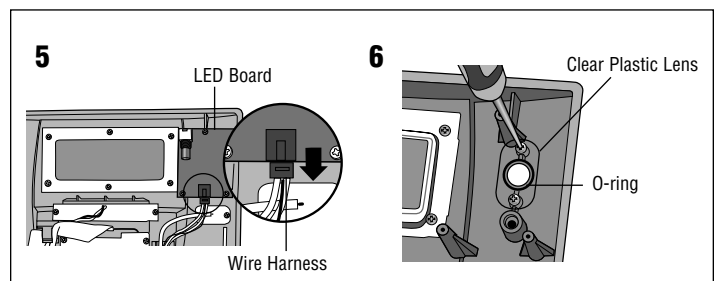
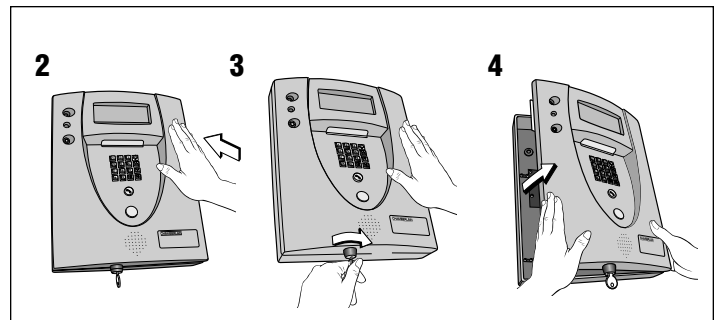
**CAMERA MODULE MODELS EL2000BWCAMKT,  
EL2000CCAMKT AND EL2000DVRCAMKT**

- 1 Disconnect power to the unit.
- 2 To open, apply pressure to the right-side of the unit.
- 3 While maintaining pressure, turn the key clockwise.
- 4 Open the cover.
- 5 To remove the LED board, unplug the wire harness from LED board and remove the screws (3). Do not remove the rubber O-ring.
- 6 Replace black plastic lens with the clear lens. Keep rubber O-ring in place.
- 7 Install the camera module. Reconnect the LED board wire harness to the camera module.
- 8 Feed a coaxial cable (not provided) through the conduit hole in the back mounting plate of the unit. Connect a BNC coaxial connector to the back of the camera module.
- 9 Close and lock the unit.
- 10 Reconnect power to the unit.

**NOTE:** If the EL2000 is connected to a home entertainment system, the home entertainment system must be switched to video input.

### **WARNING**

A static discharge can damage circuit boards.



# INSTALLATION FOR EL25

## CAMERA MODULE MODELS EL25BWCAMKT, EL25CCAMKT, AND EL25DVRCAMKT

- 1 Disconnect power to the unit.
- 2 Unlock and open the unit.
- 3 To remove the LED board, unplug the wire harness from LED board and remove the screws (3). Do not remove the rubber O-ring.
- 4 Replace black plastic lens with the clear lens. Keep rubber O-ring in place.
- 5 Install the camera module. Reconnect the LED board wire harness to the camera module.
- 6 Feed a coaxial cable (not provided) through the conduit hole in the back mounting plate of the unit. Connect a BNC coaxial connector to the back of the camera module.
- 7 Close and lock the unit.
- 8 Reconnect power to the unit.

**NOTE:** If the EL25 is connected to a home entertainment system, the home entertainment system must be switched to video input.

### FOR VERTICALLY MOUNTED EL25 UNITS

The camera lens board must be repositioned 90 degrees counterclockwise before the above steps can be performed. When repositioning the camera board carefully remove and set aside the 2 mounting screws.

## **WARNING**

A static discharge can damage circuit boards.

